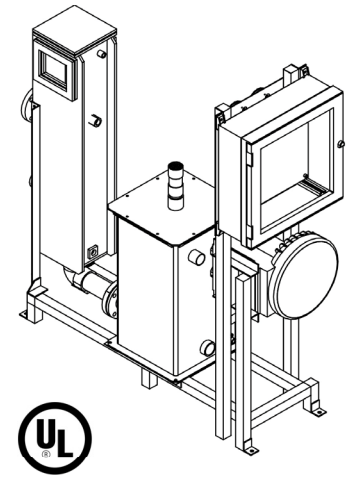


OZONE DESTRUCT UNIT

LOW-MAINTENANCE, ESSENTIAL SAFETY & PROTECTION DEVICE

Ozone destruct units are an essential safety measure when dealing with ozone applications. Exhaust gases from processes where ozone has been used invariably contain residual amounts of un-reacted ozone and before this exhaust can be vented into the atmosphere, it is necessary to decompose the ozone to trace levels. Ozone destructs safely destroy excess ozone that is present in the inlet air, or ozone that is ducted from a contact tank. The ozone is reacted back into oxygen through a catalytic process using the ozone destruct catalyst.

For maximum media life, and maximum ozone destruction, a fixed-size destruct media bed requires a fixed flow rate. A blower is necessary to assure that ambient air can be added as required to prevent channeling in the media, shortening media life. When gas is released from a pressurized contacting system, the gas flow rate is variable from 'zero' to multiples of nominal flow rate. A blowered destruct is essential in handling this highly variable gas stream. An included demister / p-trap is prevents the intrusion of large water droplets to the media. Collection systems can have significant condensation, and the condensed water must be handled by the demister / p-trap.



Key Facts

- 99.9% Ozone Destruct Efficiency
- "Destruct Running" Interlock Standard
- Low-maintenance, Long Service Life
- Easy Integration
- P-Trap "No Water" Detection with Warning Light
- All Components Rated for High Ozone Concentration
- Manufactured in USA by OWS to the Highest Industry Standards

	MODEL	DESTR050CFM	DESTR100CFM	DESTR200CFM	DESTR400CFM
FLOW (VOLUME)	scfm	50	100	200	400
	Nm ³ /h	85	170	340	680
POWER SUPPLY	Voltage (VAC)	208-230 or 460	208-230 or 460	208-230 or 460	208-230 or 460
	Phase	1	3	3	3
	Hz	50/60	50/60	50/60	50/60
	Current (FLA)	9.4 (@230v) or 4.5 (@460v)	14 (@230v) or 7 (@460v)	26 (@230v) or 10 (@460v)	20 (@230v) or 10 (@460v)
MAX INLET VACUUM	inches (H ₂ O)	10	10	10	10
DIMENSIONS	inches (HxWxD)	85 x 52 x 18	71 x 58 x 20	76 x 72 x25	72 x 81 x 43

*Specify voltage at time of order

Ozone Water Systems is a global provider of turn-key ozone systems. OWS designs, installs, and services all sizes of disinfection and advanced oxidation processes (small and large). Here are just a few markets that utilize our industry leading ozonation systems:



Aquaculture



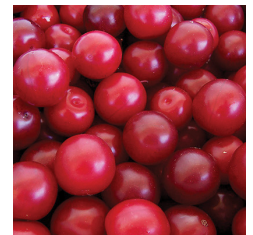
Water Treatment



Pharmaceutical



Food & Beverage



Cold Storage

 **OZONE WATER SYSTEMS, INC.**
Quality. Pure & Simple.