

OWS-WTA SENSOR BLOCK

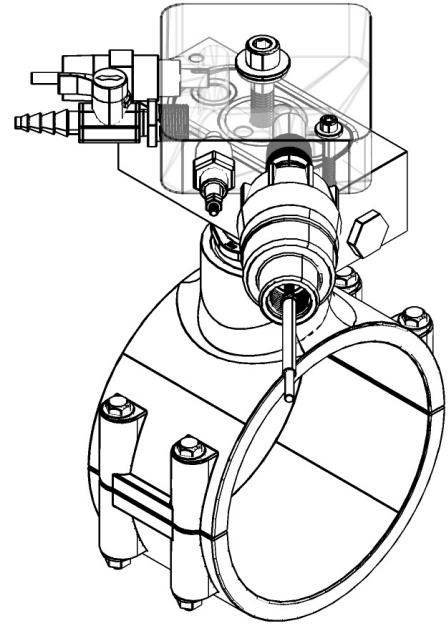
MULTIFUNCTION, TIME-SAVING WET TAP ASSEMBLY

The Ozone Water Systems Wet-Tap Assembly (OWS-WTA) Sensor Block serves as a universal sensor station for testing, sampling, and observing your water condition without the need for process shutdown. The OWS-WTA's clear acrylic sensor block also acts as a pair of shut off valves so that sensors can be removed for replacement or maintenance without shutting off the main process flow; no separate valves are required. No specialized tooling is required to actuate the valves or remove/replace sensors.

Multiple ports (1 e. of 3/4" MNPT and 3 ea. of 1/2" MNPT) allow for any type of sensor as well as collection of sample water, a solution ground (provided), or any combination as needed for specific applications. The assembly has a Carpenter 20 grounding pin to ensure that you get a true grounding for the process measurements. The EPDM o-rings are compatible with dissolved ozone in water and provide long life reliability. All components are made in the USA from durable schedule 80 PVC and acrylic.

Key Facts

- Allows for sensor replacement, maintenance, and calibration without process flow shutdown
- Clear acrylic sensor block shows if there is algae or other build-up/contamination in the water
- Model size range to 2" or larger on the bolt-up saddle
- No power to the block
- Tools required: adjustable wrench, hex key set
- Components made in the USA from durable schedule 80 PVC and acrylic
- Chemically resistant EPDM o-rings are compatible with dissolved ozone in water (standard sizes - can be swapped with Viton® or Kalrez®)
- Has multiple ports for many types of tap-in-pipe sensors, ORP, ph, conductivity
- Sensor grounding electrode
- Sample port for reading validation/calibration



PIPE SIZE	PART NUMBER
2 inch	OWS-WTA-2in
3 inch	OWS-WTA-3in
4 inch	OWS-WTA-4in
6 inch	OWS-WTA-6in
8 inch	OWS-WTA-8in
10 inch	OWS-WTA-10in
12 inch	OWS-WTA-12in

Ozone Water Systems is a global provider of turn-key ozone systems. OWS designs, installs, and services all sizes of disinfection and advanced oxidation processes (small and large). Here are just a few markets that utilize our industry leading ozonation systems:



Aquaculture



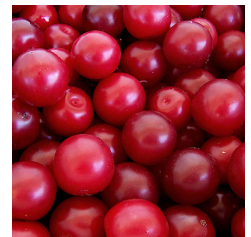
Water Treatment



Pharmaceutical



Food & Beverage



Cold Storage

 **ZONE WATER SYSTEMS, INC.**
Quality. Pure & Simple.